

PRODUCTO

BASE PARA BISAGRA OLYMPIA

► DESCRIPCIÓN

Base bisagra Olympia para elevador Aileron.

► CARACTERÍSTICAS

Tipo de bisagra: Clip y pistón.

IMÁGENES



OTROS DATOS

REF. ARN-SZ

ELEVADOR: Aileron

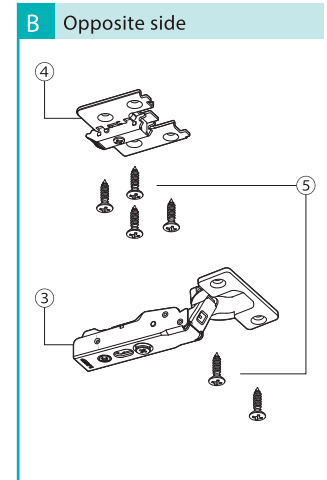
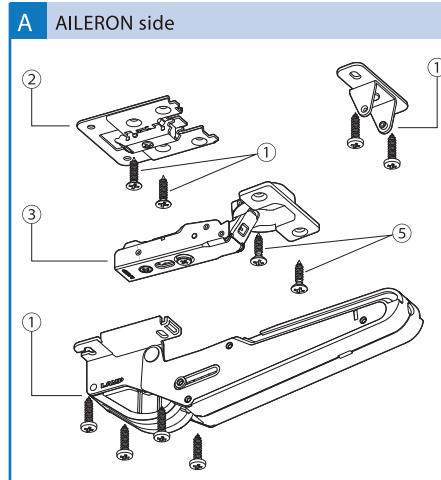
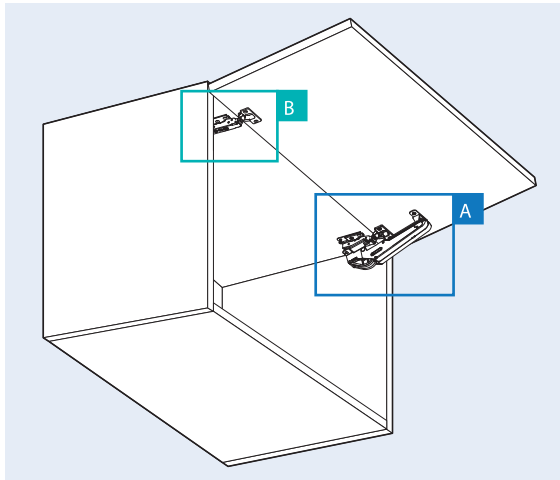
CÓDIGO

ACABADO

96680

Níquel satinado

Components for a single door








Necessary parts per door (A + B)

[Notes]

The required quantity depends on door width and moment.

*This is the required quantity when using with the 360-P6WT.
The required number of screws is reduced by one for each unit of 360-P4W-32T or 360-P4W-30T that is used.

Door Width [mm]															
450 ~ 900				900 ~ 1600				1600 ~ 2000							
Door Moment [N · m]															
4.0	6.0	8.0	12.0	4.0	6.0	8.0	12.0	4.0	6.0	8.0	12.0	4.0	6.0	8.0	12.0
6.0	8.0	12.0	16.0	6.0	8.0	12.0	16.0	6.0	8.0	12.0	16.0	6.0	8.0	12.0	16.0

	Item Code	Item Name	Door Moment [N · m]																
			4.0	6.0	8.0	12.0	4.0	6.0	8.0	12.0	4.0	6.0	8.0	12.0	4.0	6.0	8.0	12.0	
AILERON	① Stay  Including: - Binding tapping screws (6 pcs) - Countersunk head tapping screw (2 pcs)	180-043-947/ 180-043-945	ARN-3-M/ ARN-2-M	1	-	2	-	1	-	2	-	1	-	2	-	1	-	2	-
		180-043-948/ 180-043-946	ARN-3-H/ ARN-2-H	-	1	-	2	-	1	-	2	-	1	-	2	-	1	-	2
	② Plate 	180-043-949	ARN-SZ	1		2		1		2		1		2		1		2	
OLYMPIA	③ Hinge 	160-026-840/ 160-029-084	360-D26-19T/ H360-D26-26T (Built-in damper)	2		3		2		3		2		3		2		3	
		160-026-836/ 160-029-081	360-26-19T/ H360-26-26T (Without catch)			-		1		-		2		-				-	
		160-026-832/ 160-029-078	360-C26-19T/ H360-C26-26T (With catch)			-				-				-				-	1
④ Plate 	160-026-846	360-P6WT (System 32 · 4 holes)																	
	160-026-845	360-P4W-32T (System 32 · 3 holes)		1			2		1		3		2						
	160-026-844	360-P4W-30T (System 30 · 3 holes)																	
⑤ Screw 	160-070-030	TAP3515N	I	8 *	10 *	14 *	10 *	20 *	16 *										