

PRODUCTO

ELEVADOR AILERON PARA BISAGRA DE CAZOLETA OLYMPIA

► DESCRIPCIÓN

Sistema para puertas, diseñado para su colocación con la bisagra Olympia. Ofrece un movimiento suave de la puerta. Disponible con apertura vertical y horizontal, además de la base de bisagra Olympia. La función de asistencia de elevación permite la apertura suave de las puertas. La función de parada libre permite que las puertas se mantengan en posición de 30°. La función de cierre suave hace que las puertas se cierren suavemente (0°-30°). El diseño integrado combina una bisagra oculta y una tapa. La velocidad de cierre de las puertas es ajustable. Placa de montaje del lado de la puerta. Tornillo de cabezal avellanada 3,5x1,5 para fijar la placa de montaje a Aileron. Tornillo de rosa de cabeza de unión 3,5x1,5 para fijar la placa de montaje del lado de la puerta, la placa de montaje para Aileron. Piezas incluidas: placa de montaje Aileron; bisagra oculta Olympia; placa de montaje para Olympia; tornillo para Olympia.

► ACABADO

Níquel satinado.

IMÁGENES



OTROS DATOS

REF. ARN

ACABADO: Níquel satinado

CÓDIGO	REFERENCIA	MODELO
96676	ARN-2M	M(4-6N)
96677	ARN-2H	H(6-8N)
96678	ARN-3M	M(4-6N)
96679	ARN-3H	H(6-8N)

AILERON STAY FOR OLYMPIA ARN-2 Top-opening Model



- Lift-assist
- Soft-close
- Free-stop
- Passed 40,000 open/close private cycle test

Opening	Description	Non-handed	Type	Maximum Door Moment
 Top-opening	Lift-assist Soft-close Free-stop	Yes	M	4.0-6.0 N · m/pc (40.8-61.2 kgf · cm/pc)
			H	6.0-8.0 N · m/pc (61.2-81.6 kgf · cm/pc)

- ☑ Smooth door movement. It is specially designed for use with the OLYMPIA concealed hinge [360-D26-19 / H360-D26-26T].
- ☑ The lift-assist function allows for light opening of doors.
- ☑ The force of lift-assist is adjustable.
- ☑ The soft-close function makes doors close gently (0°-30° degrees).
- ☑ Integrated design combines a concealed hinge and lid stay.
- ☑ The free-stop function enables doors to hold in position.
- ☑ Closing speed of doors is adjustable.

[Specifications]

☑ Operating temperature: ☑ - 40☑

[Parts Included]

- ☑ Door-side mounting plate
- ☑ Countersunk head tapping screw 3.5 × 1.5
(for attaching the mounting plate to AILERON)
- ☑ Binding head tapping screw 3.5 × 1.5
(for attaching the door-side mounting plate, mounting plate for AILERON, and AILERON)

[Sold Separately]

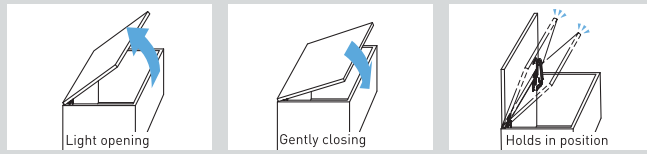
- ☑ Mounting plate for AILERON
- ☑ OLYMPIA concealed hinge
- ☑ Mounting plate for OLYMPIA
- ☑ Screw for OLYMPIA

Video Link

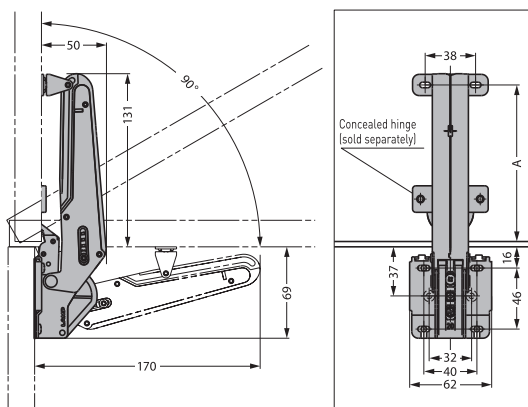


[Door Movements]

- | | | |
|---|--|--|
| Lift-assist
Allows for light opening of doors | Soft-close
OLYMPIA's damper makes doors close slowly. (0° - 30°) | Free-stop
Enables doors to hold in position. |
|---|--|--|



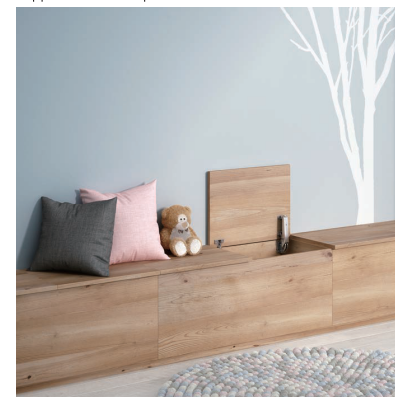
[Installation]



Hinge Used	A
360-D26-19T	118
H360-D26-26T	116

Please see pages of Olympia hinges for installation dimensions.

[Application Example]



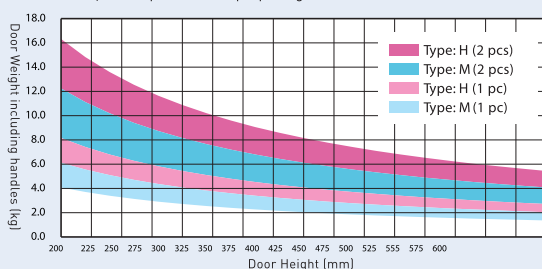
[Aileron Stay] Sold singly

hvs	CAD	Item Code	Item Name	Material	Finish / Colour	Type	Max. Door Moment N · m/pc	Max. Door Moment kgf · cm/pc	Box (pc)	Carton (pc)
		180-043-945	ARN-2-M	Steel (SPCC) / POM	Nickel plating / Grey	M	4.0 ~6.0	40.8 ~61.2	1	20
		180-043-946	ARN-2-H	Steel (SPCC) / POM	Nickel plating / Grey	H	6.0 ~8.0	61.2 ~81.6	1	20

[Standard Set] Including parts sold separately

hvs	CAD	Item Code	Item Name	Door Width	Max. Door Moment N · m	Max. Door Moment kgf · cm	Set Contents	Box (pc)	Carton (pc)
		180-045-661	ARN-2-M-S	450 ~900	4.0 ~6.0	40.8 ~61.2	Aileron stay, Mounting plate for Aileron stay, Olympia hinge, Mounting plate for Olympia hinge, Screws	1	10
		180-045-662	ARN-2-H-S	450 ~900	6.0 ~8.0	61.2 ~81.6	Aileron stay, Mounting plate for Aileron stay, Olympia hinge, Mounting plate for Olympia hinge, Screws	1	10

[Selection Graph] (upward and top-opening models)



Maximum Door Moment	Type	Number of AILERON
4.0 - 6.0	M	1 pc
6.0 - 8.0	H	
8.0 - 12.0	M	2 pcs
12.0 - 16.0	H	

As a guide for model selection, please refer to the graph on the left.

For use with doors outside of the scope of this graph, use the calculation below. (The door weight includes attached decorations such as handles.)

☑ The selection should be based on Max. door moment. (Two types are available.)

☑ Maximum Door Moment (N · m) =

Door weight (kg) × 9.80665 × Distance from rotation centre to door centre of gravity (m)

AILERON STAY FOR OLYMPIA

ARN-3 Upward Opening Model



- Lift-assist
 - Soft-close
 - Free-stop
- Passed 40,000 open/close private cycle test

Opening	Description	Non-handed	Type	Maximum Door Moment
Upward	Lift-assist Soft-close Free-stop	Yes	M	4.0~6.0 N · m/pc (40.8~61.2 kgf · cm/pc)
			H	6.0~8.0 N · m/pc (61.2~81.6 kgf · cm/pc)

- ☒ Smooth door movement. It is specially designed for use with the OLYMPIA concealed hinge (360-D26-19 / H360-D26-26T).
- ☒ The lift-assist function allows for light opening of doors.
- ☒ The force of lift-assist is adjustable.
- ☒ The soft-close function makes doors close gently (0°~30° degrees).
- ☒ Integrated design combines a concealed hinge and lid stay.
- ☒ The free-stop function enables doors to hold in position.
- ☒ Closing speed of doors is adjustable.

[Specifications]

- ☒ Operating temperature: ☐ - 40☒

[Parts Included]

- ☒ Door-side mounting plate
- ☒ Countersunk head tapping screw 3.5 × 1.5 (for attaching the mounting plate to AILERON)
- ☒ Binding head tapping screw 3.5 × 1.5 (for attaching the door-side mounting plate, mounting plate for AILERON, and AILERON)

[Sold Separately]

- ☒ Mounting plate for AILERON
- ☒ OLYMPIA concealed hinge
- ☒ Mounting plate for OLYMPIA
- ☒ Screw for OLYMPIA

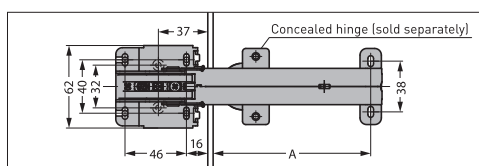
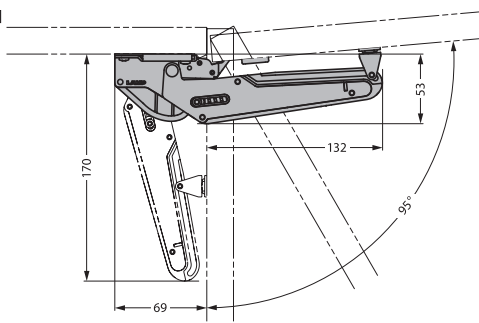
Video Link



[Door Movements]

Lift-assist	Soft-close	Free-stop
Allows for light opening of doors	OLYMPIA's damper makes doors close slowly. (0° - 30°)	Enables doors to hold in position.
Light opening	Gently closing	Holds in position

[Installation]



Hinge Used	A
360-D26-19T	118
H360-D26-26T	116

Please see pages of Olympia hinges for installation dimensions.

[Application Example]



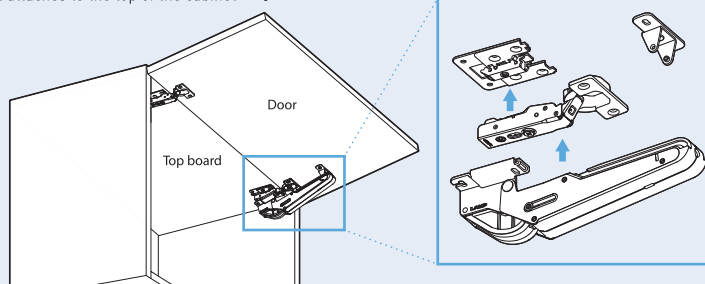
[Aileron Stay] Sold singly

Item Code	Item Name	Material	Finish / Colour	Type	Max. Door Moment N · m/pc	Max. Door Moment kgf · cm/pc	Box (pc)	Carton (pc)
180-043-947	ARN-3-M	Steel (SPCC) / POM	Nickel plating / Grey	M	4.0 ~6.0	40.8 ~61.2	1	20
180-043-948	ARN-3-H			H	6.0 ~8.0	61.2 ~81.6	1	20

[Standard Set] Including parts sold separately

Item Code	Item Name	Door Width	Max. Door Moment N · m	Max. Door Moment kgf · cm	Set Contents	Box (pc)	Carton (pc)
180-045-659	ARN-3-M-S	450~900	4.0 ~6.0	40.8 ~61.2	Aileron stay, Mounting plate for Aileron stay, Olympia hinge, Mounting plate for Olympia hinge, Screws	1	10
180-045-660	ARN-3-H-S		6.0 ~8.0	61.2 ~81.6		1	10

[Combined unit attaches to the top of the cabinet]



Simple installation only requires AILERON to be placed on OLYMPIA with a mounting plate designed for AILERON