

APPLICATION ACCESSORIES

Template double

for precise routings in conjunction with ANSELMI jig technique

accessories

Technical details

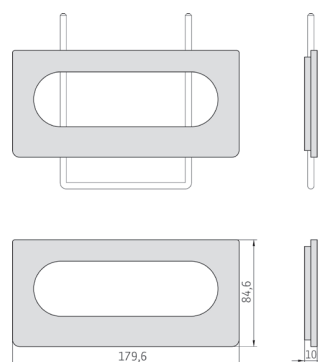
cutter diameter	14.0 or 16.0 mm
collar ring diameter	25.0 or 27.0 mm

Combination

hinge	AN 141 3D FVZ 14/44
-------	---------------------

Note

All indicated dimensions of angle and rail are just standards which may vary on the actual measurements depending on the construction. Where applicable, a trial routing is recommended.



Template single

for precise routings in conjunction with ANSELMI jig technique

accessories

Technical details

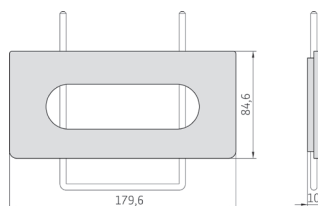
cutter diameter	14.0 or 16.0 mm
collar ring diameter	25.0 or 27.0 mm

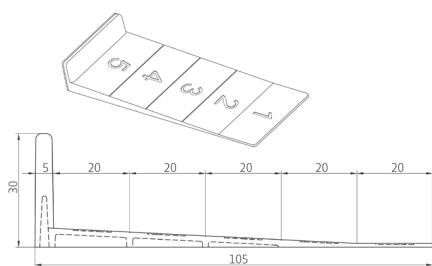
Combination

hinge	AN 140 3D
	AN 140 3D ALU
	AN 160 3D
	AN 160 3D ALU
	AN 180 3D
	AN 130 2D
	AN 150 3D
	AN 150 3D ALU

Note

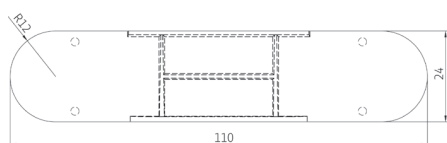
All indicated dimensions of angle and rail are just standards which may vary on the actual measurements depending on the construction. Where applicable, a trial routing is recommended.





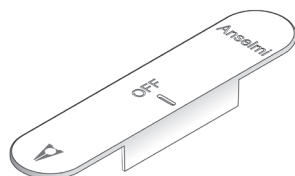
Door height adjustment wedge

as tool to ease the adjustment of the door height from 1 mm up to 5 mm



Disposable/varnishable frame hole cover

to protect the hinge seat during the installation of the frame



Note

The frame hole cover is especially indicated when the frames (usually aluminium frames) are installed on the building site several weeks or months before the doors are produced. The cover will protect the hinge seat from dust, cement, paint etc. and when the door will arrive on site the installation will result easier.

The use of this frame hole cover requires a special hinge packaging. Please contact us for further information.